

- designed for tubes 32 mm
- supplied with M6 closing bolt
- mounting hole suitable for up to 6,5 mm bolt



- made from ultra high tensile aluminium alloy
- professional micropercussion marking
- highly polished surface
- anodized versions available on special request

Ø 32 mm

CELL 101		CLAMP BASIC
SWL	Weight	basic Clamp can be used for welding or construction of special items
100 Kg	0,25 Kg	

Ø 32 mm

CELL 102		CLAMP WITH BOLT AND WINGNUT
SWL	Weight	clamp supplied with M6 x 25 bolt and wingnut
100 Kg	0,35 Kg	

Ø 32 mm

CELL 103		CLAMP WITH LIFTING EYE
SWL	Weight	clamp supplied with steel eye for rope or cable attachment
100 Kg	0,70 Kg	

Ø 32 mm

CELL 104		SWIVEL COUPLER
SWL	Weight	set of two clamps free to rotate 360° for connection two tubes
100 Kg	0,80 Kg	

Ø 32 mm

CELL 105		90° FIXED COUPLER
SWL	Weight	set of two clamps fixed at 90° to each other for connection of two tubes
100 Kg	0,80 Kg	

Ø 32 mm

CELL 106		PARALLEL COUPLER
SWL	Weight	set of two clamps fixed parallel to each other for connection of two tubes
100 Kg	0,80 Kg	

Ø 32 mm

CELL 113		HORIZONTAL ATTACHMENT
L1	L2	32 x 1,5 mm also available custom lengths
250 mm	500 mm	
	L3	
	750 mm	

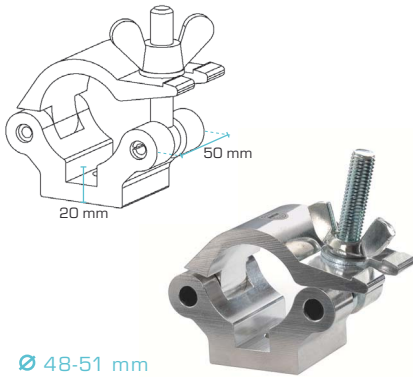
Cell 200 Series

- designed for tubes 48 – 51 mm
- supplied with M12 closing bolt
- mounting hole suitable for up to 13 mm bolt

CELL



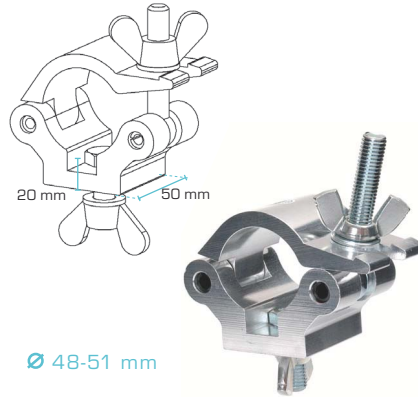
- made from ultra high tensile aluminium alloy
- professional micropercussion marking
- highly polished surface
- anodized versions available on special request



Ø 48-51 mm

CELL 201 CLAMP BASIC

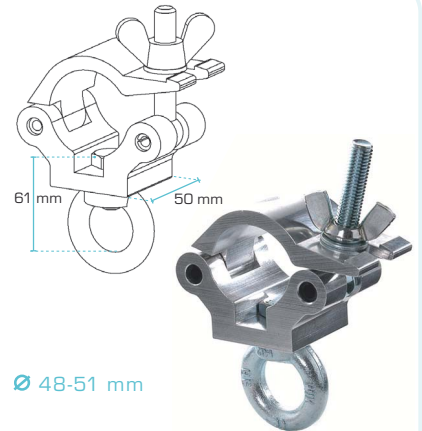
SWL	Weight	Description
500 Kg	0,50 Kg	basic Clamp can be used for welding or construction of special items



Ø 48-51 mm

CELL 202 CLAMP WITH BOLT AND WINGNUT

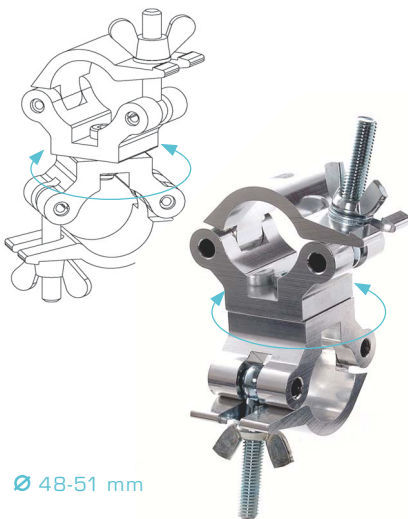
SWL	Weight	Description
500 Kg	0,59 Kg	clamp supplied with M12 x 35 bolt and wingnut



Ø 48-51 mm

CELL 203 CLAMP WITH LIFTING EYE

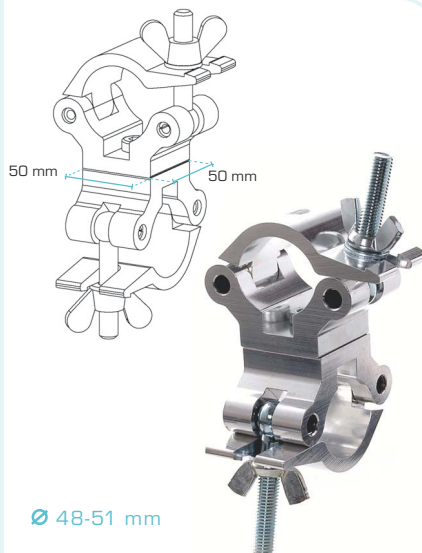
SWL	Weight	Description
300 Kg	0,65 Kg	clamp supplied with steel eye for rope or cable attachment



Ø 48-51 mm

CELL 204 SWIVEL COUPLER

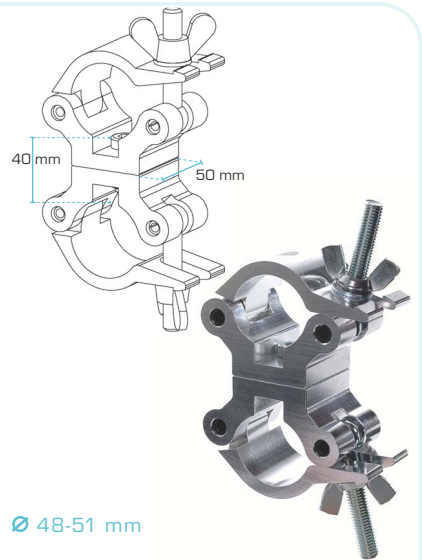
SWL	Weight	Description
500 Kg	1,00 Kg	set of two clamps free to rotate 360° for connection two tubes



Ø 48-51 mm

CELL 205 90° FIXED COUPLER

SWL	Weight	Description
500 Kg	1,00 Kg	set of two clamps fixed at 90° to each other for connection of two tubes



Ø 48-51 mm

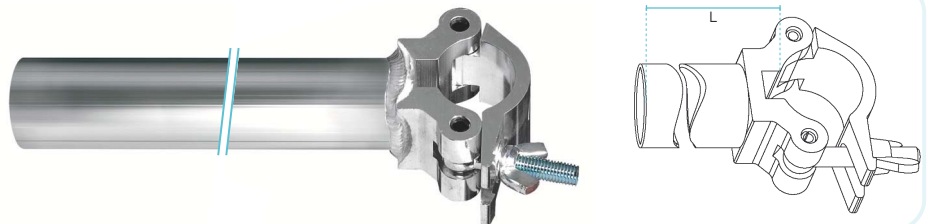
CELL 206 PARALLEL COUPLER

SWL	Weight	Description
500 Kg	1,00 Kg	set of two clamps fixed parallel to each other for connection of two tubes

Ø 48-51 mm

CELL 213 HORIZONTAL ATTACHMENT

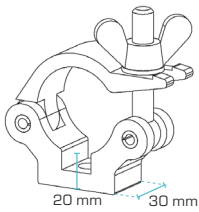
L1	L2	L3	Description
250 mm	500 mm	750 mm	50 x 2 mm also available custom lengths



- designed for tubes 48 – 51 mm
- supplied with M12 closing bolt
- mounting hole suitable for up to 13 mm bolt



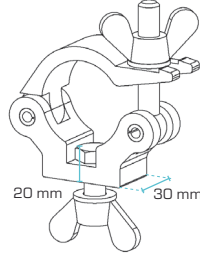
- made from ultra high tensile aluminium alloy
- professional micropercussion marking
- highly polished surface
- anodized versions available on special request



Ø 48-51 mm

CELL 207 SLIM CLAMP BASIC

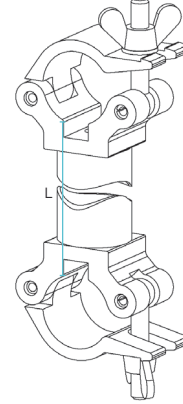
SWL	Weight	Description
300 Kg	0,30 Kg	slim basic clamp can be used for welding or construction of special items



Ø 48-51 mm

CELL 208 SLIM CLAMP WITH BOLT + NUT

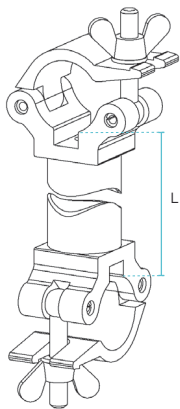
SWL	Weight	Description
300 Kg	0,39 Kg	slim clamp supplied with M12 x 50 bolt and wingnut



Ø 48-51 mm

CELL 209 EXTENDED PARALLEL COUPLER

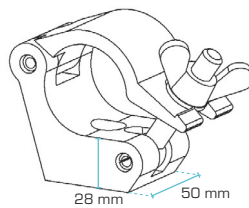
L1	L2	L3	Description
250 mm	500 mm	1000 mm	set of two clamps connected with aluminum tube in various lengths for parallel tube connections



Ø 48-51 mm

CELL 210 EXTENDED 90° FIXED COUPLER

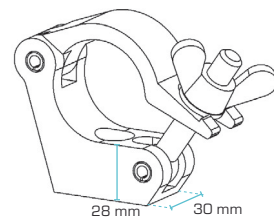
L1	L2	L3	Description
250 mm	500 mm	1000 mm	set of two clamps connected with aluminum tube in various lengths for 90° tube connections



Ø 48-51 mm

CELL 211 SIDE CLAMP

SWL	Weight	Description
500 Kg	0,55 Kg	side clamp is ideal for using with trusses • substitute for claw clamp



Ø 48-51 mm

CELL 212 SLIM SIDE CLAMP

SWL	Weight	Description
300 Kg	0,35 Kg	side clamp is ideal for using with trusses • substitute for claw clamp

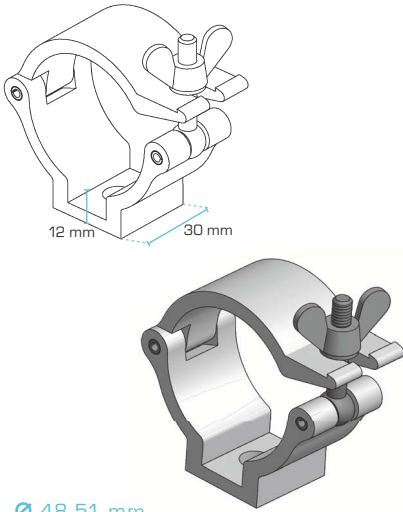
Cell 500 Series

- designed for tubes 48 – 51 mm
- supplied with M12 closing bolt
- mounting hole suitable for up to 13 mm bolt

CELL



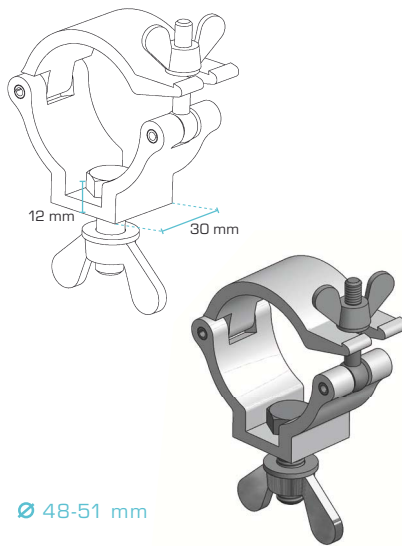
- made from ultra high tensile aluminium alloy
- professional micropercussion marking
- highly polished surface
- anodized versions available on special request



Ø 48-51 mm

CELL 501 CLAMP BASIC

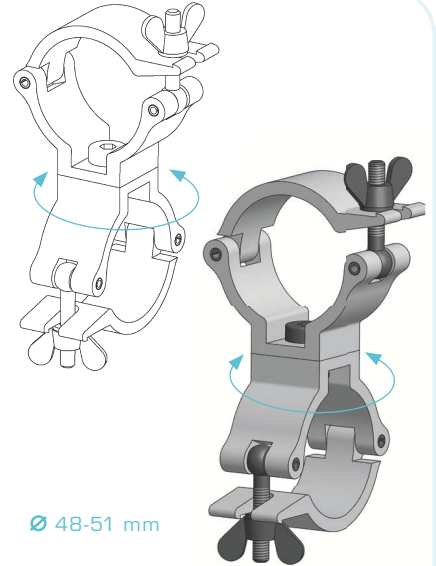
SWL	Weight	Description
75 Kg	0,135 Kg	basic Clamp can be used for construction of special items



Ø 48-51 mm

CELL 502 CLAMP WITH BOLT AND WINGNUT

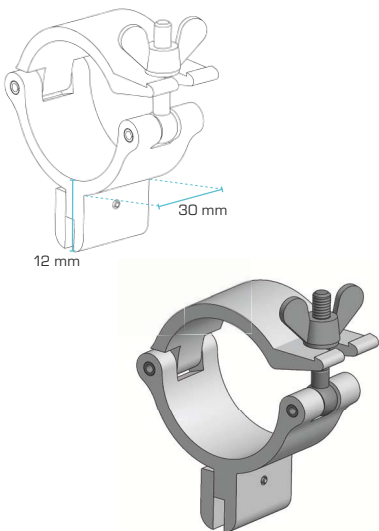
SWL	Weight	Description
75 Kg	0,215 Kg	clamp supplied with M10 x 30 bolt and wingnut



Ø 48-51 mm

CELL 504 SWIVEL COUPLER

SWL	Weight	Description
75 Kg	0,27 Kg	set of two clamps free to rotate 360° for connection two tubes



Ø 48-51 mm

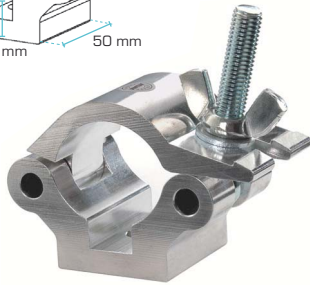
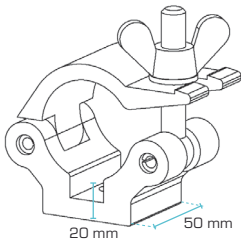
CELL 511 PANEL HOLDER

SWL	Weight	Description
75 Kg	0,135 Kg	basic clamp can be used for various panels attachments

- designed for tubes 60 – 63,5 mm
- supplied with M12 closing bolt
- mounting hole suitable for up to 13 mm bolt



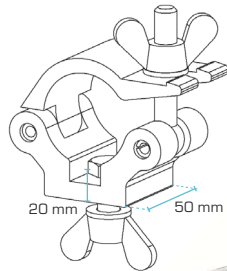
- made from ultra high tensile aluminium alloy
- professional micropercussion marking
- highly polished surface
- anodized versions available on special request



Ø 60-63,5 mm

CELL 301 CLAMP BASIC

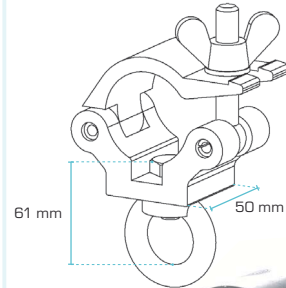
SWL	Weight	basic clamp can be used for welding or construction of special items
500 Kg	0,65 Kg	



Ø 60-63,5 mm

CELL 302 CLAMP WITH BOLT + WINGNUT

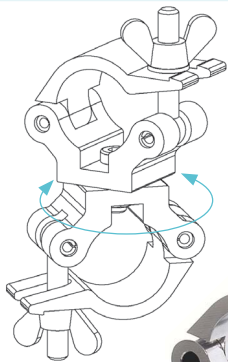
SWL	Weight	clamp supplied with M12 x 35 bolt and wingnut
500 Kg	0,75 Kg	



Ø 60-63,5 mm

CELL 303 CLAMP WITH LIFTING EYE

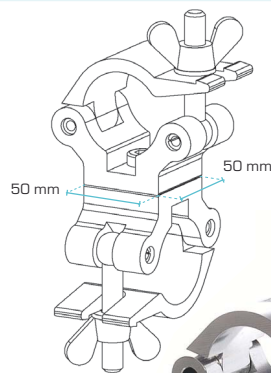
SWL	Weight	clamp supplied with steel eye for rope or cable attachment
300 Kg	1,00 Kg	



Ø 60-63,5 mm

CELL 304 SWIVEL COUPLER

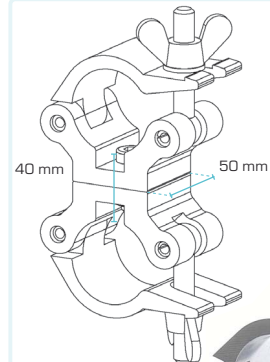
SWL	Weight	set of two clamps free to rotate 360° for connection two tubes
500 Kg	1,50 Kg	



Ø 60-63,5 mm

CELL 305 90° FIXED COUPLER

SWL	Weight	set of two clamps fixed at 90° to each other for connection of two tubes
500 Kg	1,50 Kg	



Ø 60-63,5 mm

CELL 306 PARALLEL COUPLER

SWL	Weight	set of two clamps fixed parallel to each other for connection of two tubes
500 Kg	1,50 Kg	

Cell 400 Series

- designed for tubes 38 – 51 mm
- supplied with M12 closing bolt
- mounting hole suitable for up to 13 mm bolt

CELL



- made from ultra high tensile aluminium alloy
- professional micropercussion marking
- highly polished surface
- anodized versions available on special request

101 mm
30 mm

Ø 38-51 mm

CELL 401		QUICK CLAMP
SWL	Weight	quick clamp can be used for welding or construction of special items
250 Kg	0,68 Kg	

101 mm
30 mm

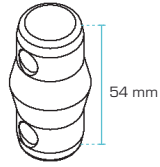
Ø 38-51 mm

CELL 402		QUICK CLAMP WITH BOLT AND WINGNUT
SWL	Weight	quick clamp supplied with M12 x 35 bolt and wingnut
250 Kg	0,75 Kg	

101 mm
30 mm

Ø 38-51 mm

CELL 403		QUICK CLAMP WITH LIFTING EYE
SWL	Weight	quick clamp supplied with steel eye for rope or cable attachment
250 Kg	1,00 Kg	



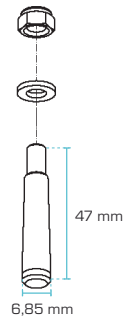
CC N CONICAL CONNECTOR N

Series	
KN22	



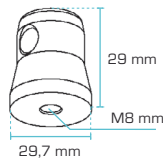
PN PIN N

Series	
KN22	



PN M6 PIN N WITH THREAD M6

Series	supplied with washer and nylock nut
KN22	



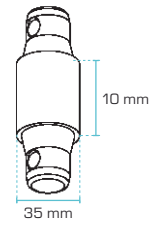
CC N M8 HALF CONNECTOR N WITH THREAD M8

Series	screw fixing not included, please order separately if required
KN22	



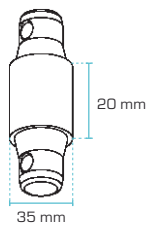
SRP M SAFETY R CLIP M

Series	
M222	



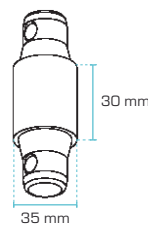
CC ND10 SPACER N 10 mm

Series	
KN22	



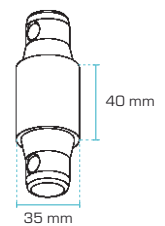
CC ND20 SPACER N 20 mm

Series	
KN22	



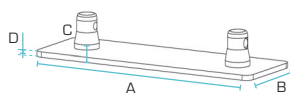
CC ND30 SPACER N 30 mm

Series	
KN22	



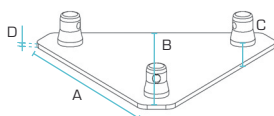
CC ND40 SPACER N 40 mm

Series	
KN22	



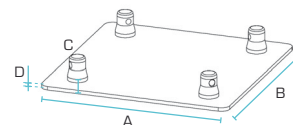
2KN-22-BP
2KN-22-WP BASE/WALL PLATE 2KN-22 WITH HALF CONNECTORS

Series	A	B	C	D	
KN22	270	90	10	5	mm



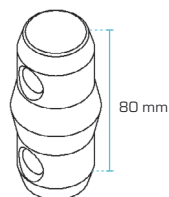
3KN-22-BP
3KN-22-WP BASE/WALL PLATE 3KN-22 WITH HALF CONNECTORS

Series	A	B	C	D	
KN22	262	230	10	5	mm



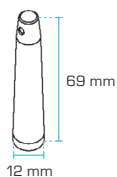
4KN-22-BP
4KN-22-WP BASE/WALL PLATE 4KN-22 WITH HALF CONNECTORS

Series	A	B	C	D	
KN22	270	270	10	5	mm



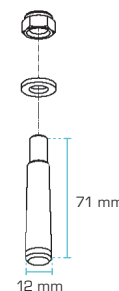
CC U CONICAL CONNECTOR B

Series	
K30/KH30	
K40/KH40	



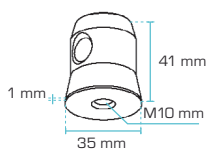
PB PIN B

Series	
K30/KH30	
K40/KH40	



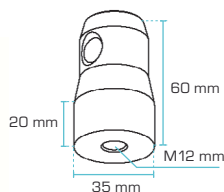
PB M8 PIN B WITH THREAD M8

Series	
K30/KH30	supplied with washer and nylock nut
K40/KH40	



CC U M10 HALF CONNECTOR B WITH THREAD M10

Series	
K30/KH30	screw fixing not included, please order separately if required
K40/KH40	



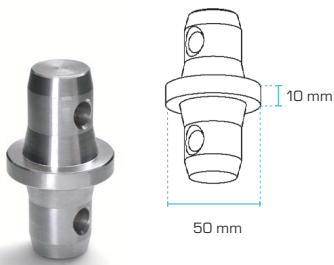
CC U M12 HALF CONNECTOR B WITH THREAD M12

Series	
K30/KH30	screw fixing not included, please order separately if required
K40/KH40	



SRP B SAFETY R CLIP B

Series	
K30/KH30	supplied with washer and nylock nut
K40/KH40	



CC UD10 SPACER U 10 mm

Series	
K30 /KH30	
K40 /KH40	



CC UD20 SPACER U 20 mm

Series	
K30 /KH30	
K40 /KH40	



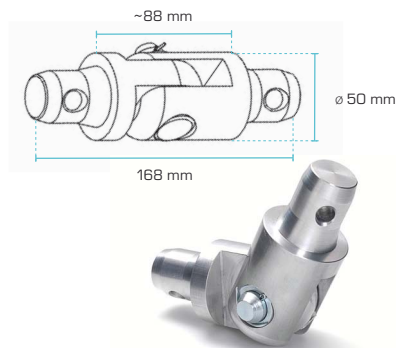
CC UD30 SPACER U 30 mm

Series	
K30 /KH30	
K40 /KH40	



CC UD40 SPACER U 40 mm

Series	
K30 /KH30	
K40 /KH40	



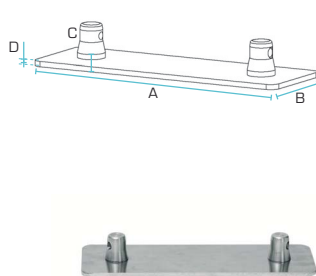
HINGE PART

Series	
K30 /KH30	
K40 /KH40	



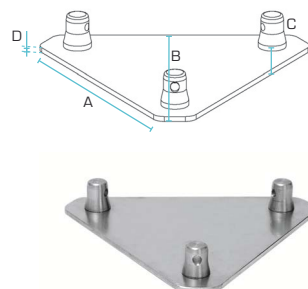
CF U D105 CONICAL FEMALE U 105 mm

Series	
K30 /KH30	
K40 /KH40	



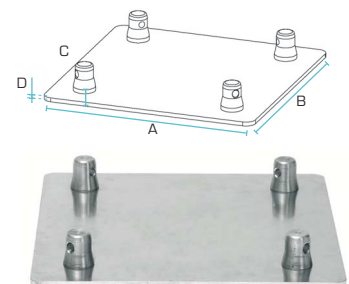
2K-30-BP BASE /WALL PLATE 2K30 WITH
2K-30-WP HALF CONNECTORS

Series	A	B	C	D	
K30 /KH30	350	110	10	5	mm



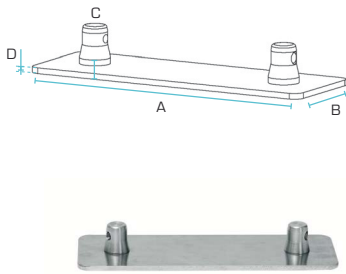
3K-30-BP BASE /WALL PLATE 3K30 WITH
3K-30-WP HALF CONNECTORS

Series	A	B	C	D	
K30 /KH30	346	303	10	5	mm



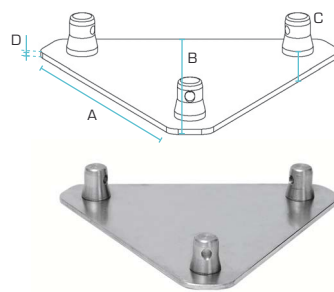
4K-30-BP BASE /WALL PLATE 4K30 WITH
4K-30-WP HALF CONNECTORS

Series	A	B	C	D	
K30 /KH30	350	350	10	5	mm



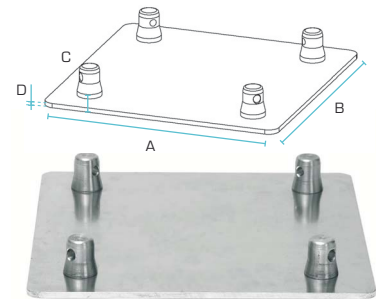
2K-40-BP
2K-40-WP BASE/WALL PLATE 2K40 WITH HALF CONNECTORS

Series	A	B	C	D	
K40/KH40	450	110	10	5	mm



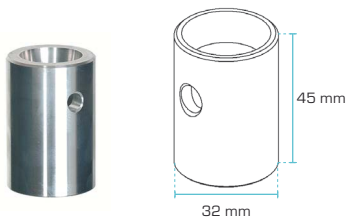
3K-40-BP
3K-40-WP BASE/WALL PLATE 3K40 WITH HALF CONNECTORS

Series	A	B	C	D	
K40/KH40	442	385	10	5	mm



4K-40-BP
4K-40-WP BASE/WALL PLATE 4K40 WITH HALF CONNECTORS

Series	A	B	C	D	
K40/KH40	450	450	10	5	mm



CON 46N FEMALE FITTING FOR MULTICUBE KN-22 MC

Series	
KN22	



CON 25U FEMALE FITTING FOR MULTICUBE KH-30 MC/KH-40 MC

Series	
K30/KH30/K40/KH40	



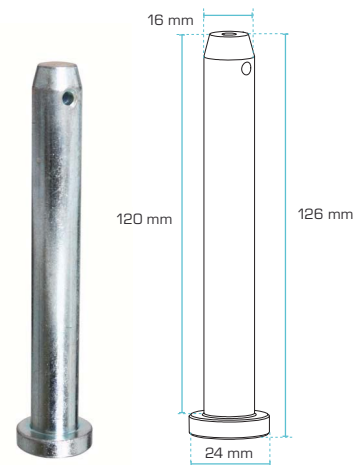
SRP O SAFETY R CLIP O

Series	
4GS 35/4GS 50/4GS 62/4GS 62F/4GX 91	



PGS PIN GS

Series	
4GS 35/4GS 50/4GS 62/4GS 62F	



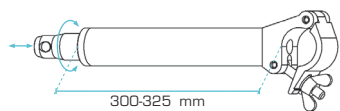
PGSF PIN GS FOLDING

Series	
4GS 62F	



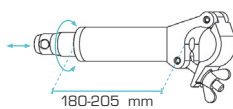
PGX PIN GX

Series	
4GX 91	



CON 01U/A HOOK EXTENSION LONG
FOR TUBE 48-51 mm

Series
K30 / KH30 / K40 / KH 40



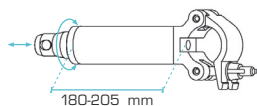
CON 02U/A HOOK EXTENSION SHORT
FOR TUBE 48-51 mm

Series
K30 / KH30 / K40 / KH 40



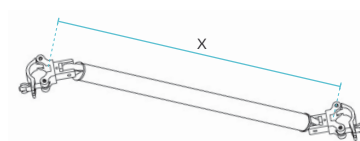
CON 03U HAND EXTENSION LONG
FOR TUBE 48-51 mm

Series
K30 / KH30 / K40 / KH 40



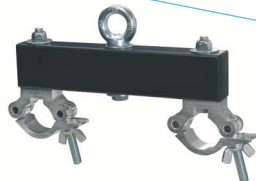
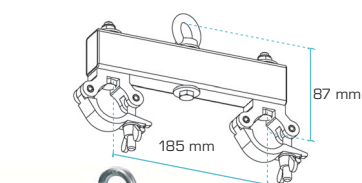
CON 04U HAND EXTENSION SHORT
FOR TUBE 48-51 mm

Series
K30 / KH30 / K40 / KH 40



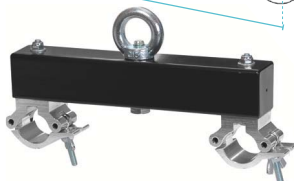
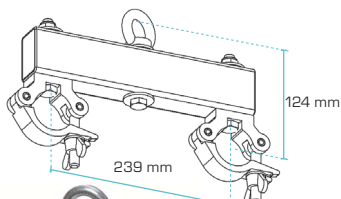
CB D50 CORNER BRACE
VARIOUS LENGTHS

Series
K30 / KH30 / K40 / KH 40



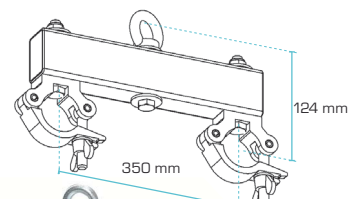
CS3-KN-22 CEILING SUPPORT
FOR KN22 SYSTEM

Series SWL 200 kg
KN22



CS3-K-30 CEILING SUPPORT
FOR K30 / KH30 SYSTEM

Series SWL 500 kg
K30 / KH30



CS3-K-40 CEILING SUPPORT
FOR K40 / KH 40 SYSTEM

Series SWL 500 kg
K40 / KH 40



STEEL WIRES

available in various lengths: • 1, 2, 3... m
diameters Ø: • 11, 12, 14 mm
• also available in custom lengths



O RING 3,0 t

useful accessory for all riggers



SHACKLE 2,0 t

SWL 2000 kg



SHACKLE 3,2 t

SWL 3200 kg



TURNBUCKLES

for tensioning wires
available lengths: • 229 mm (fork/fork or fork/eye)
• 304,8 mm (fork/eye)



STEEL FLEX

black roundsling with galvanized aircraft cable on the inside. increases safety • higher heat resistance • no backup rigging required
• conforms load to grip easily • a unique inspection window allows for easy inspection of steel cable